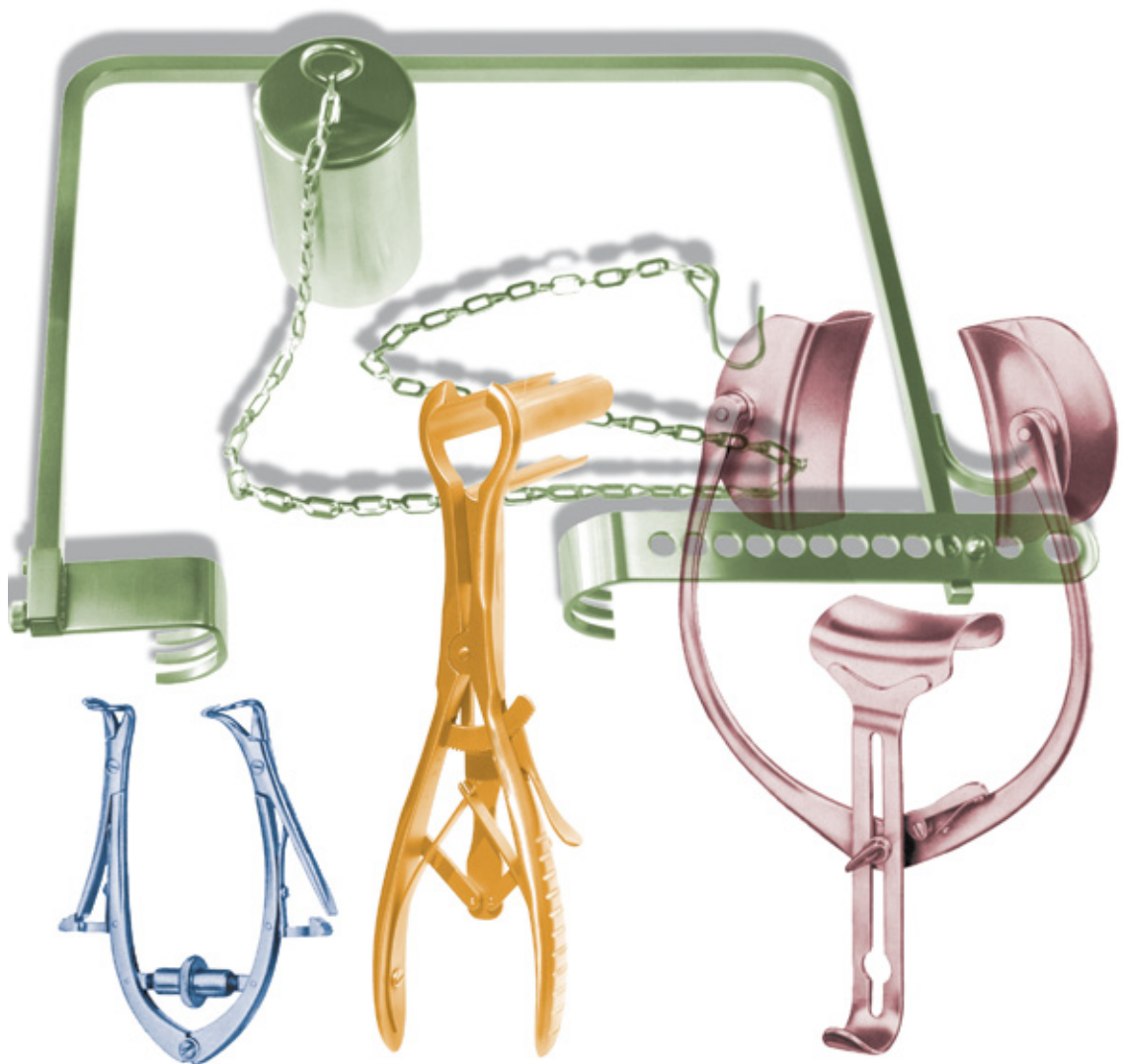


WUNDSPEIZER
RETRACTORS, SELF-RETAINING
ECARTEURS AUTOSTATIQUES
SEPARADORES AUTOSTATICOS
DIVARICATORI AUTOSTATICI



76x40 64x25 mm



DARLING
17.5670 18 cm

64x25 76x40 mm



DARLING
17.5672 18 cm



DEBAKEY-FEMUR
17.5890
10 cm

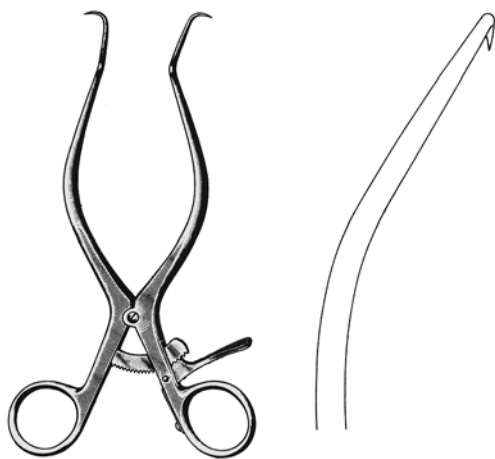
Kinder
children
enfants
niños
bambini



DEBAKEY-FEMUR
17.5892
14,5 cm



JOLL (FRIEDMANN)
55.0500
10 cm



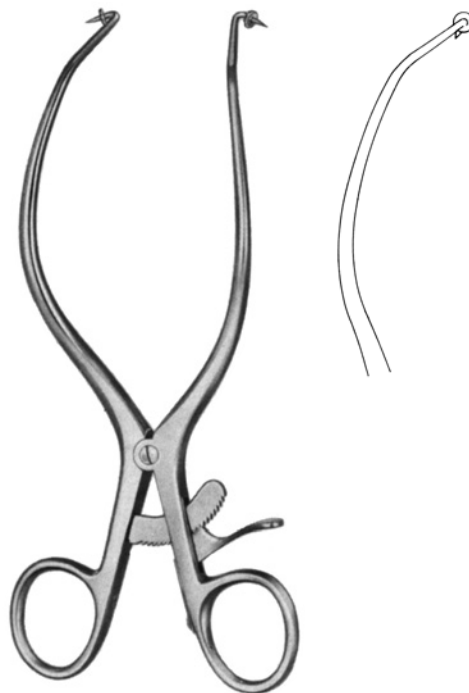
GELPI-MINI
17.5899 10 cm



GELPI-BABY
17.5900 14 cm



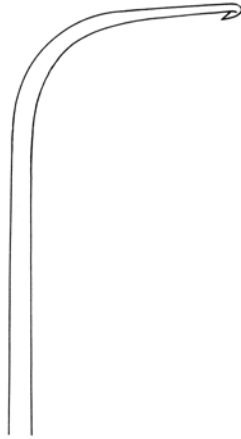
GELPI
18 cm
17.5901 spitz / sharp / pointu / agudo / acuto
17.5902 stumpf / blunt / mousse / romo / smusso



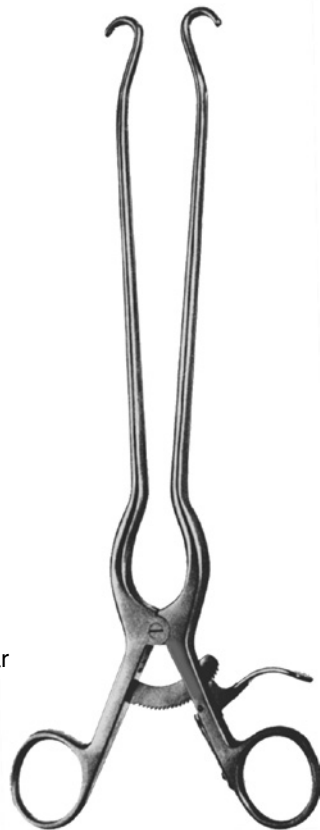
GELPI
17.5905 18 cm



GELPI-SELETZ
17.5907 15 cm



JACKSON-BURROWS
17.5908 18,5 cm

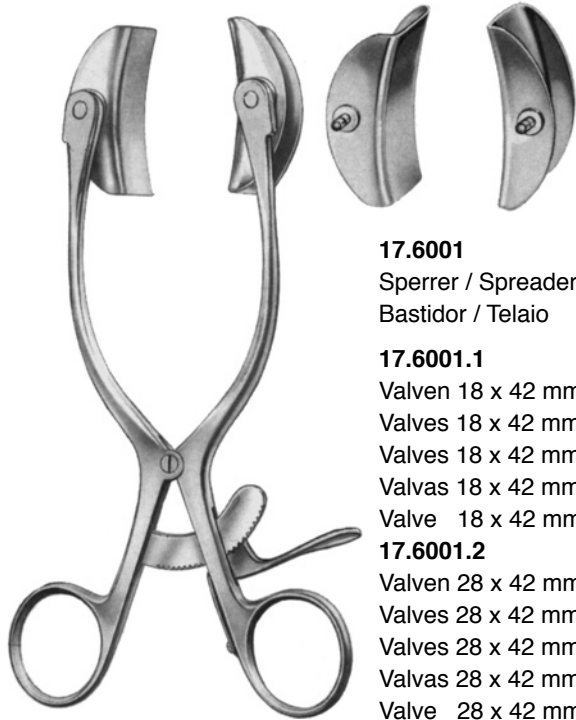


MORRIS-MITRAL
40.3400
16 cm



GELPI-ORTHO
17.5906
30 cm

Gefäßwundspreizer
Vascular Retractor
Ecarteur vasculaire
Separador vascular
Divaricatore vascolar



17.6001
 Sperrer / Spreader / Cadre /
 Bastidor / Telaio

17.6001.1
 Valven 18 x 42 mm (Paar)
 Valves 18 x 42 mm (Pair)
 Valves 18 x 42 mm (Paire)
 Valvas 18 x 42 mm (Par)
 Valve 18 x 42 mm (Paio)

17.6001.2
 Valven 28 x 42 mm (Paar)
 Valves 28 x 42 mm (Pair)
 Valves 28 x 42 mm (Paire)
 Valvas 28 x 42 mm (Par)
 Valve 28 x 42 mm (Paio)

COLLIN-BABY

17.6000 18 cm

bestehend aus:

- 17.6001 Rahmen
- 17.6001.1 1 Paar Valven 18x42 mm
- 17.6001.2 1 Paar Valven 28x42 mm

consisting of:

- 17.6001 Frame
- 17.6001.1 Blades 18x42 mm (Pair)
- 17.6001.2 Blades 28x42 mm (Pair)

comprenant:

- 17.6001 cadre seul
- 17.6001.1 valves 18x42 mm (paire)
- 17.6001.2 valves 28x42 mm (paire)

compuetso de:

- 17.6001 bastidor suelto
- 17.6001.1 valvas 18x42 mm (par)
- 17.6001.1 valvas 28x42 mm)

composto da:

- 17.6001 Telaio solo
- 17.6001.1 valve 18x42mm (par)
- 17.6001.2 valve 28x42 mm (par)



COLLIN
17.6002 22 cm
 38 x 60 mm

Valven / Lateral blades / valves latérales
 / valvas laterales / valve laterali 38 x
 60 mm



COLLIN
 22 cm
17.6003
 Seitenvlaven / Lateral blades / valves
 latérales / valvas laterales / valve
 laterali 38 x 60 mm

Mittelvalve / center blade / valve
 central / valva centrale / valva
 centrale 38 x 55 mm

17.6004
 Seitenvlaven / Lateral blades / valves
 latérales / valvas laterales / valve
 laterali 38 x 80 mm

Mittelvalve / center blade / valve
 central / valva centrale / valva
 centrale 50 x 75 mm



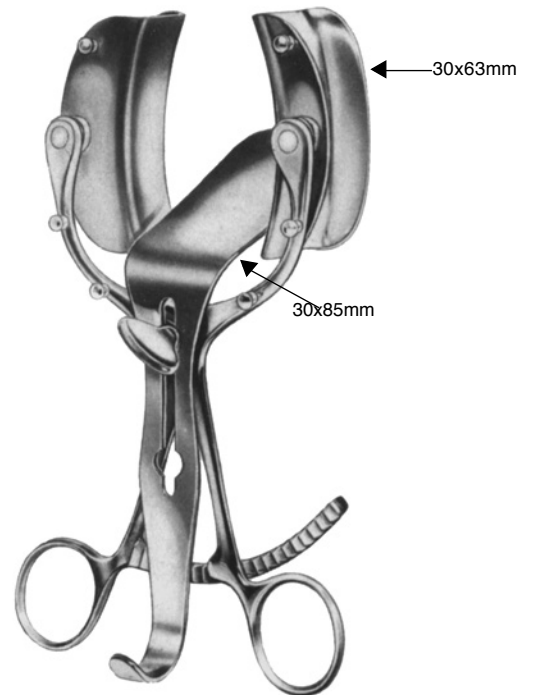
COLLIN-LOCKTITE

17.6007 26 cm

60 x 80 mm

Seitenvalven / Lateral blades /
valves latérales / valvas laterales /
valve laterali 60 x 80 mm

Mittelvalve / center blade /
valve central / valva centrale /
valva centrale 60 x 75 mm



LEGUEU

17.6010 18 cm



MAYO-ADAMS

17.6015 17 cm



HOLZBACH
17.6020



RICARD

17.6030 28 cm

Mittelvalve 55x70mm, Seitenvlaven 50x58mm
Centervlave 55x70, lateral blades 50x58 mm
valve centrale 55x70, valves latérales 50x58mm
valva central 55x70, valvas laterales 50x58mm
valva centrale 55x70, valve laterali 50x58mm

17.6035 30 cm

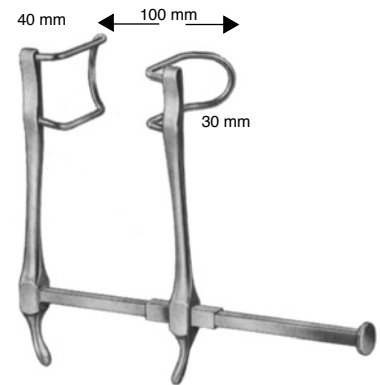
Mittelvalve 80x90mm, Seitenvlaven 60x80mm
Centervlave 80x90, lat. blades 60x80 mm
valve centrale 80x90, valves latérales 60x80mm
valva central 80x90, valvas laterales 60x80mm
valva centrale 80x90, valve laterali 60x80mm



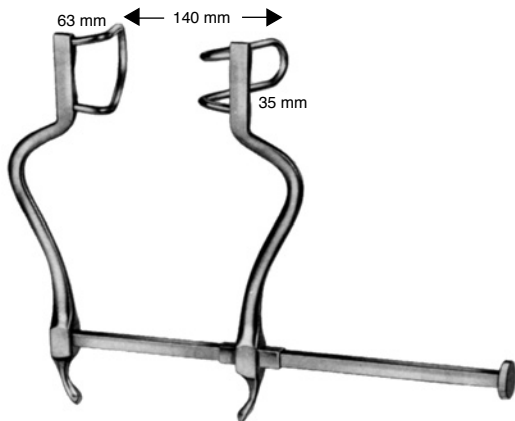
ROBIN-MASSE

17.6040 21cm

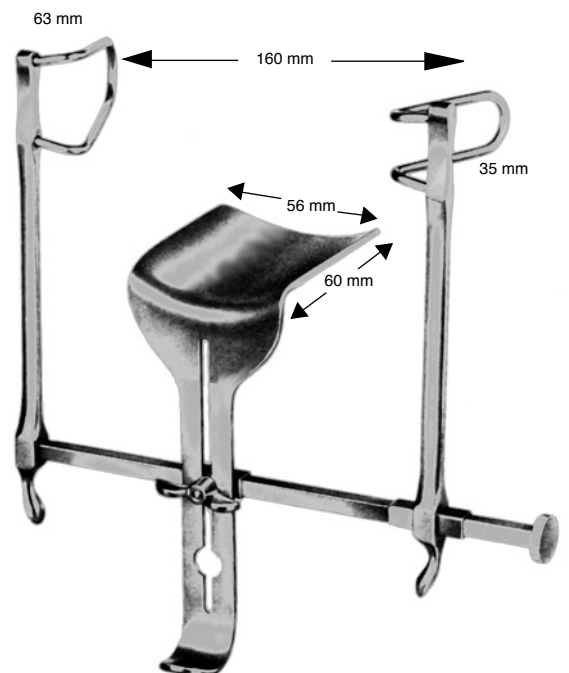
Mittelvalve 40x64mm, Seitenvlaven 38x62mm
 Centervalue 40x64, lat. blades 38x62 mm
 valve centrale 40x64, valves latérales 38x62mm
 valva central 40x64, valvas laterales 38x62mm
 valva centrale 40x64, valve laterali 38x62mm



GOSSET
17.6100 100 mm

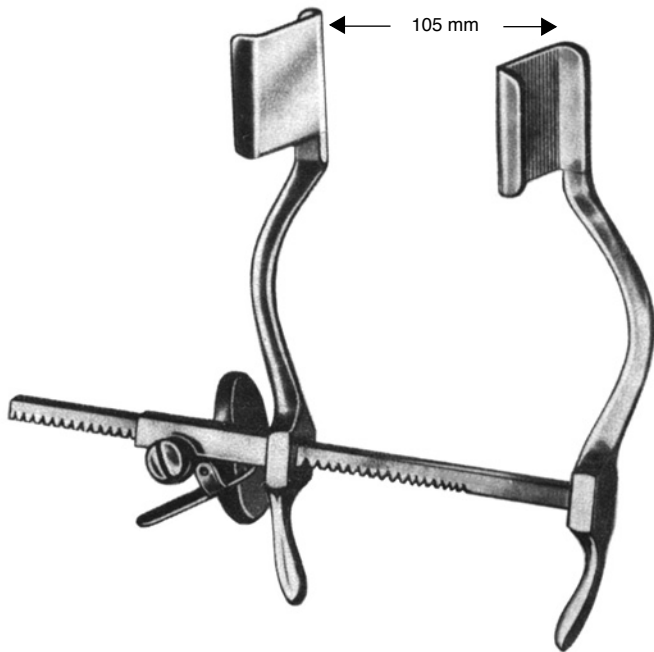


GOSSET
17.6101 140mm



GOSSET
17.6102 160mm

**BAUCHDECKENHALTER
 ABDOMINAL RETRACTORS
 ECARTEURS ABDOMINAUX
 SEPARADORES ABDOMINALES
 DIVARICATORI ADDOMINALI**



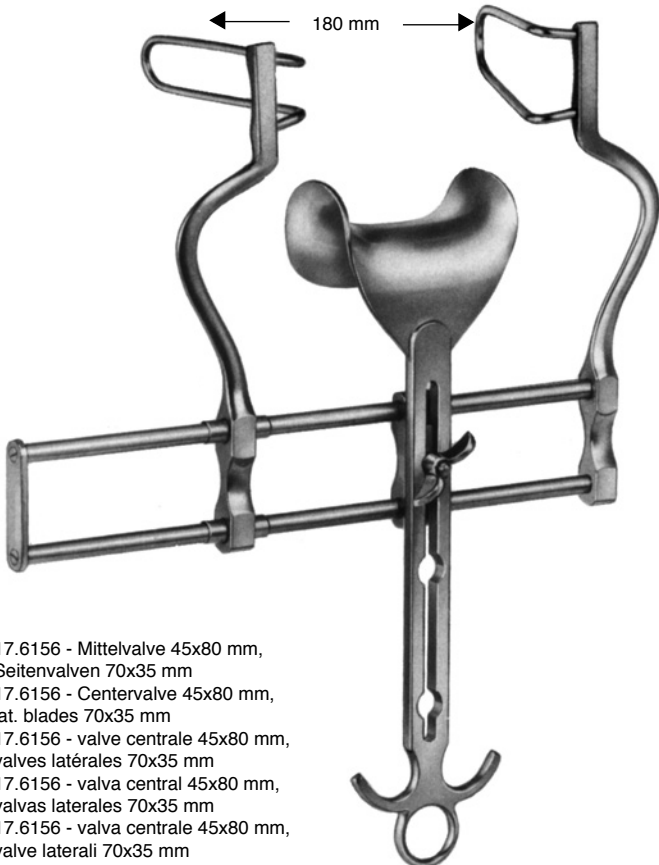
HERTZLER
 17.6110

Spreizweite / spread / écartement / abertura / apertura 105 mm
 Tiefe, Breite / Depth, Width / profondeur, largeur /
 profundidad, ancho / profondità, larghezza : 25 x 25 mm



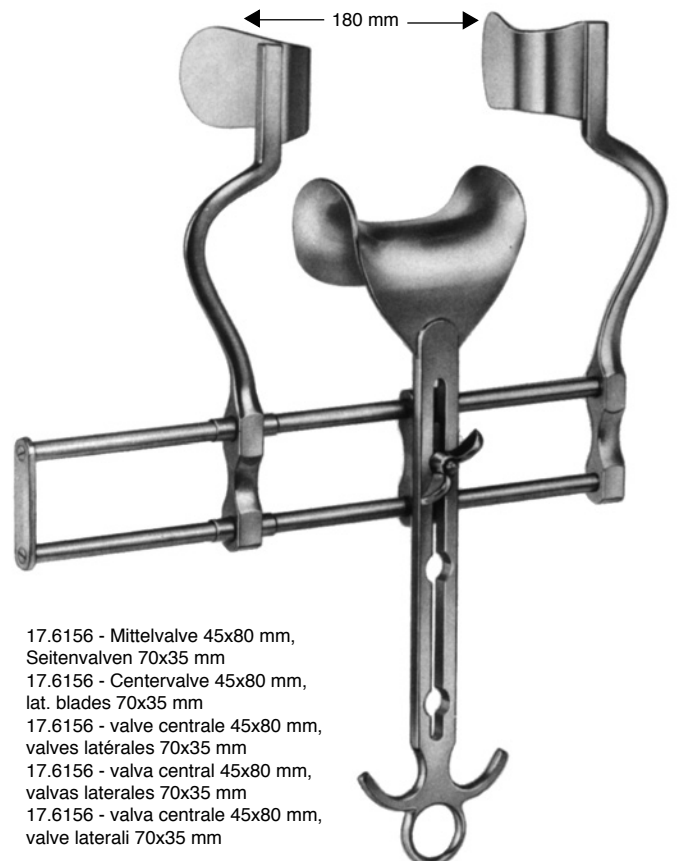
BALFOUR-BABY
 17.6150 90 mm

Spreizweite / spread / écartement / abertura / apertura 90 mm



17.6156 - Mittelvalve 45x80 mm,
 Seitenvlaven 70x35 mm
 17.6156 - Centervlaven 45x80 mm,
 lat. blades 70x35 mm
 17.6156 - valve centrale 45x80 mm,
 valves latérales 70x35 mm
 17.6156 - valva central 45x80 mm,
 valvas laterales 70x35 mm
 17.6156 - valva centrale 45x80 mm,
 valve laterali 70x35 mm

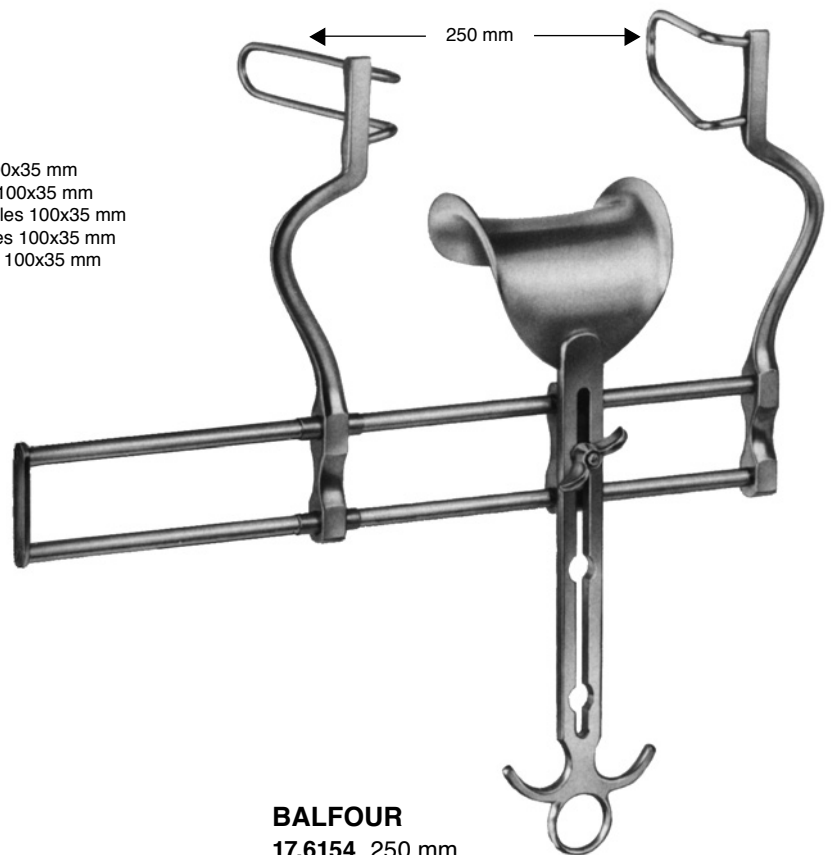
BALFOUR
 17.6152 180 mm



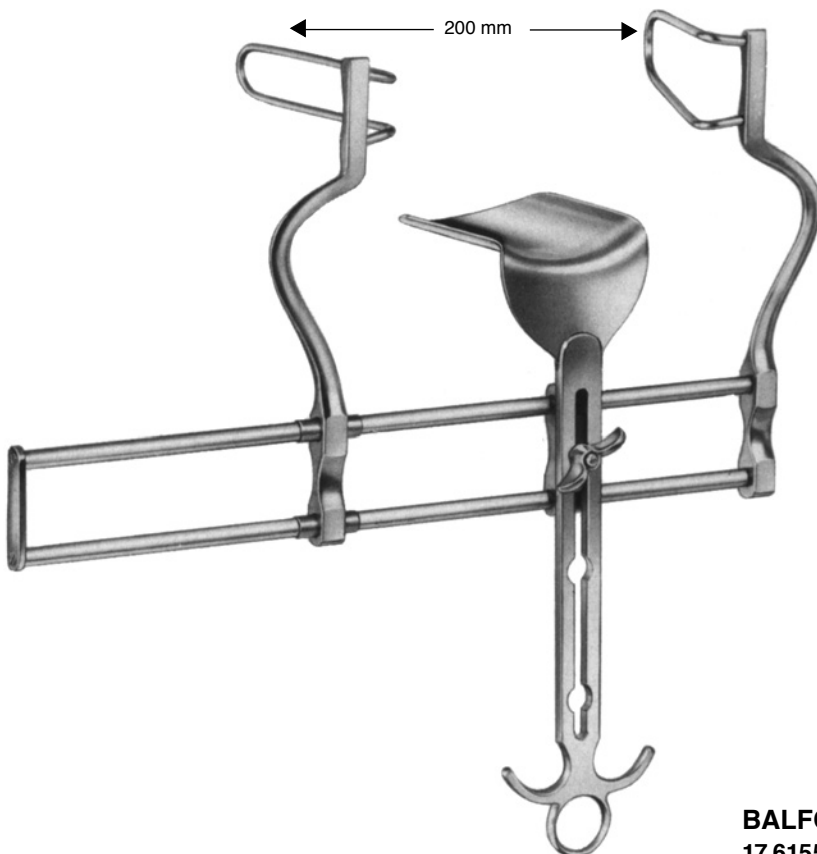
17.6156 - Mittelvalve 45x80 mm,
 Seitenvlaven 70x35 mm
 17.6156 - Centervlaven 45x80 mm,
 lat. blades 70x35 mm
 17.6156 - valve centrale 45x80 mm,
 valves latérales 70x35 mm
 17.6156 - valva central 45x80 mm,
 valvas laterales 70x35 mm
 17.6156 - valva centrale 45x80 mm,
 valve laterali 70x35 mm

BALFOUR
 17.6153 180 mm

17.6158 - Mittelvalve 70x85, Seitenvalven 100x35 mm
17.6158 - Centervalue 70x85, lateral blades 100x35 mm
17.6158 - valve centrale 70x85, valves latérales 100x35 mm
17.6158 - valva central 70x85, valvas laterales 100x35 mm
17.6158 - valva centrale 70x85, valve laterali 100x35 mm



BALFOUR
17.6154 250 mm



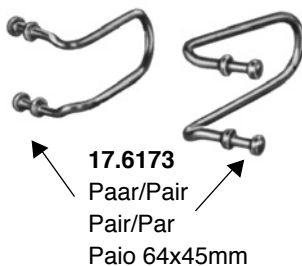
17.6157 - Mittelvalve 100x70mm,Seitenvalven 100x35 mm
17.6157 - Centervalue 100x70, lateral blades 100x35 mm
17.6157 - valve centrale 100x70, valves latérales 100x35 mm
17.6157 - valva central 100x70, valvas laterales 100x35 mm
17.6157 - valva centrale 100x70, valve laterali 100x35 mm

BALFOUR
17.6155 200 mm

**BAUCHDECKENHALTER
 ABDOMINAL RETRACTORS
 ECARTEURS ABDOMINAUX
 SEPARADORES ABDOMINALES
 DIVARICATORI ADDOMINALI**



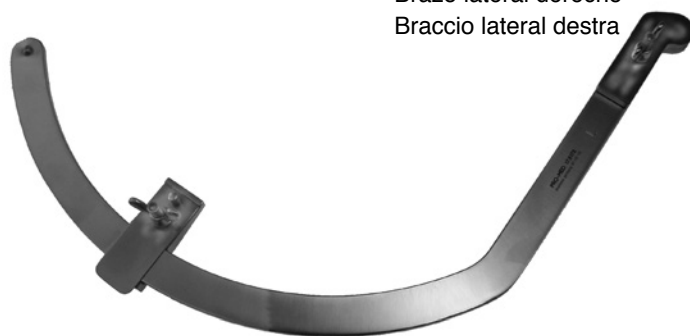
17.6174
 Paar/Pair
 Pair/Par
 Paio 89x45mm



17.6173
 Paar/Pair
 Pair/Par
 Paio 64x45mm

17.6178L
 Seitenarm links
 4th blade attachment left
 Bras latéral à gauche
 Brazo lateral izquierdo
 Braccio lateral sinistra

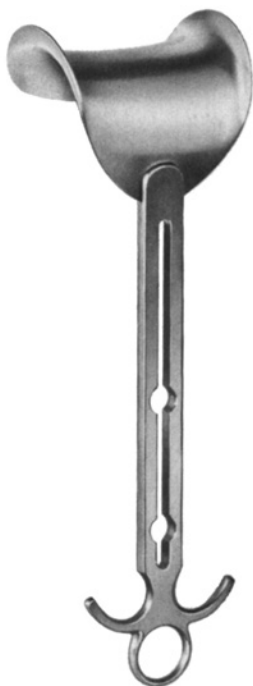
17.6178R
 Seitenarm rechts
 4th blade attachment right
 Bras latéral à droite
 Brazo lateral derecho
 Braccio lateral destra



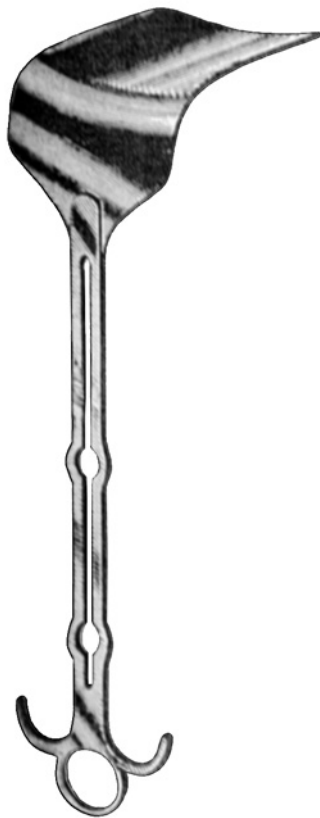
BALFOUR-Modif.
17.6170 200 mm
17.6172 265 mm
 komplett/complete/
 complet/completo/completo

BALFOUR
17.6178L
17.6178R

Mittelvalven für Bauchdeckenhalter
 Center blades
 Valves centrales
 Valvas centrales
 Valve centrali



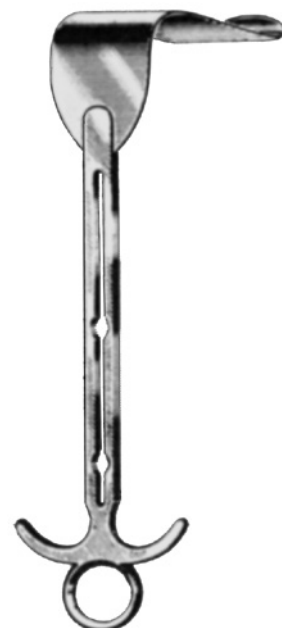
BALFOUR
17.6156 45 x 80 mm
17.6158 70 x 85 mm
17.6159 80 x 90 mm



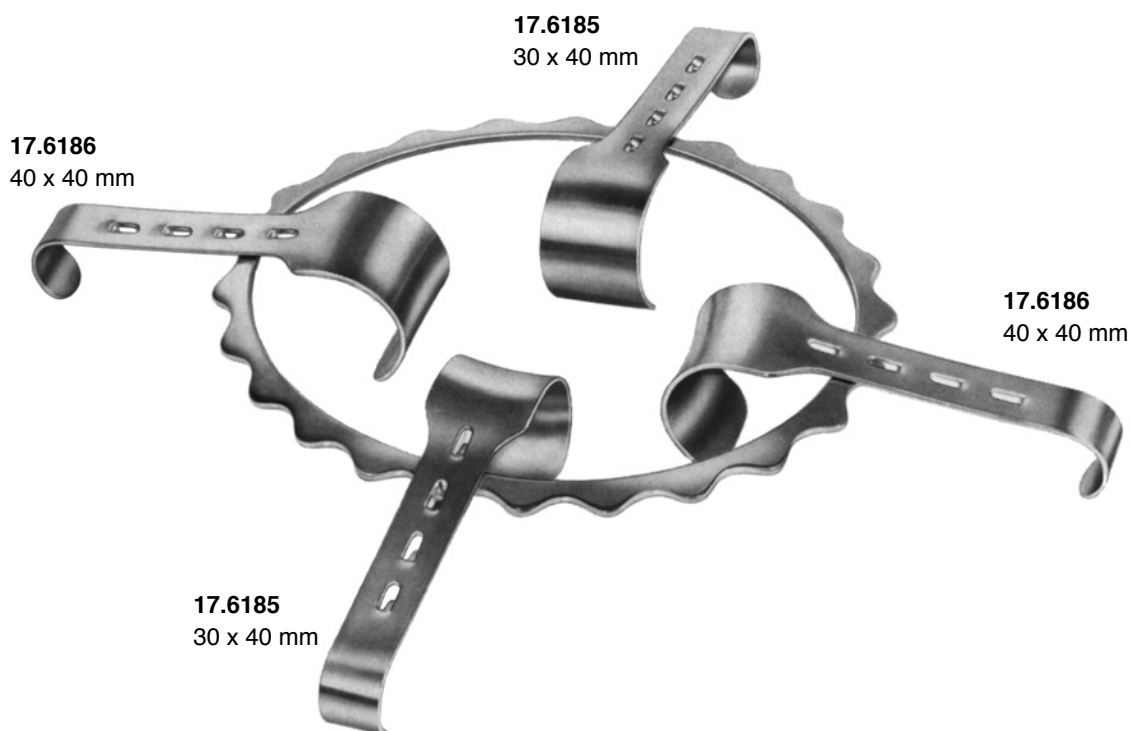
BALFOUR
17.6157 100 x 70 mm



HORGAN
17.6176 51 x 198 mm



HORGAN
17.6177 51 x 127 mm



DENIS-BROWN

17.6180 für Kinder, bestehend aus:
 17.6181 Rahmen 180x150 mm
 17.6185 2 Valven 30x40 mm
 17.6186 2 Valven 40x40 mm

for children, consisting of:
 17.6181 Frame 180x150 mm
 17.6185 2 valves 30x40 mm
 17.6186 2 valves 40x40 mm

pour enfants, comprenant:
 17.6181 cadre 180x150 mm
 17.6185 2 valves 30x40 mm
 17.6186 2 valves 40x40 mm

para niños, compuesto de:
 17.6181 cuadro 180x150 mm
 17.6185 2 valvas 30x40 mm
 17.6186 2 valvas 40x40 mm

per bambini, composto da:
 17.6181 telaio 180x150 mm
 17.6185 2 valve 30x40 mm
 17.6186 2 valve 40x40 mm

DENIS-BROWN

17.6182 für Erwachsene, bestehend aus:
 17.6183 Rahmen 255x180 mm
 17.6185 2 Valven 30x40 mm
 17.6186 2 Valven 40x40 mm

for adults, consisting of:
 17.6183 Frame 255x180 mm
 17.6185 2 valves 30x40 mm
 17.6186 2 valves 40x40 mm

pour adultes, comprenant:
 17.6183 cadre 255x180 mm
 17.6185 2 valves 30x40 mm
 17.6186 2 valves 40x40 mm

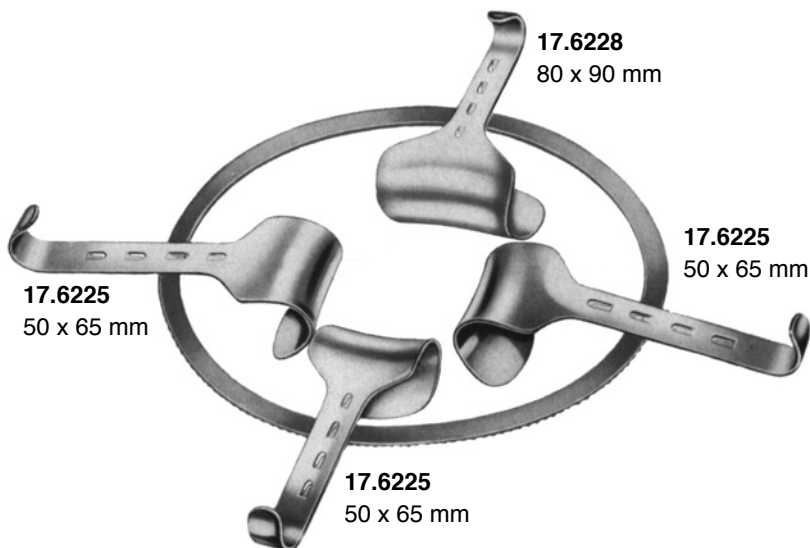
para adultos, compuesto de:
 17.6183 cuadro 255x180 mm
 17.6185 2 valvas 30x40 mm
 17.6186 2 valvas 40x40 mm

per adulti, composto da:
 17.6183 telaio 255x180 mm
 17.6185 2 valve 30x40 mm
 17.6186 2 valve 40x40 mm

DENIS-BROWN

17.6181 Rahmen / frame / cadre / cuadro / telaio 180 x150 mm

17.6183 Rahmen / frame / cadre / cuadro / telaio 255 x180 mm

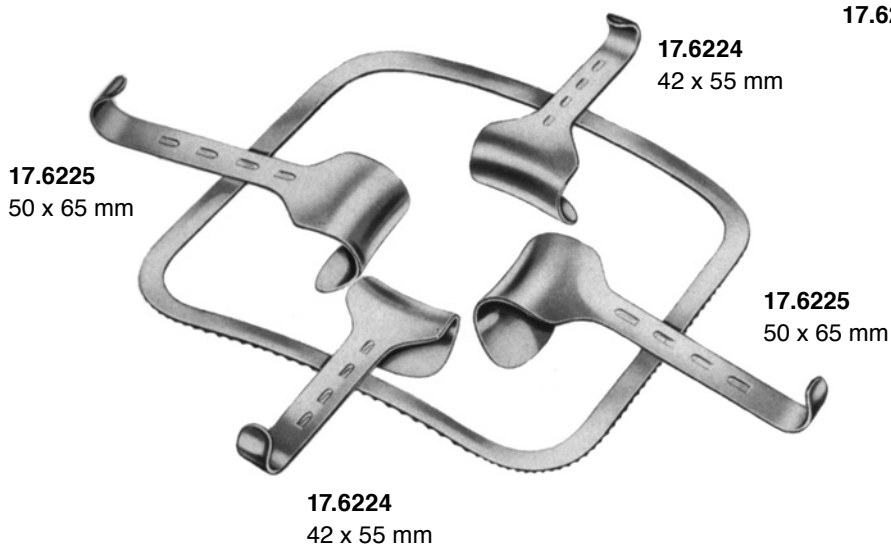


KIRSCHNER

17.6211 300x240 mm
 Rahmen allein / Frame only / Cadre, seul / Cuadro, solo / Telaio, solo

KIRSCHNER

17.6210 bestehend aus
 17.6211 ovaler Rahmen 300x240 mm
 17.6225 3 Valven 50x65 mm
 17.6228 1 Valve 80x90 mm
 17.6229 1 Valve 98x50 mm
 17.6230 1 Valve 105x35 mm
 consisting of:
 17.6211 oval Frame 300x240 mm
 17.6225 3 valves 50x65 mm
 17.6228 1 valve 80x90 mm
 17.6229 1 valve 98x50 mm
 17.6230 1 valve 105x35 mm
 comprenant:
 17.6211 cadre oval 300x240 mm
 17.6225 3 Valves 50x65 mm
 17.6228 1 Valve 80x90 mm
 17.6229 1 Valve 98x50 mm
 17.6230 1 Valve 105x35 mm
 compuesto de:
 17.6211 cuadro oval 300x240 mm
 17.6225 3 valvas 50x65 mm
 17.6228 1 valva 80x90 mm
 17.6229 1 valva 98x50 mm
 17.6230 1 valva 105x35 mm
 composto da:
 17.6211 telaio oval 300x240 mm
 17.6225 3 valve 50x65 mm
 17.6228 1 valva 80x90 mm
 17.6229 1 valva 98x50 mm
 17.6230 1 valva 105x35 mm

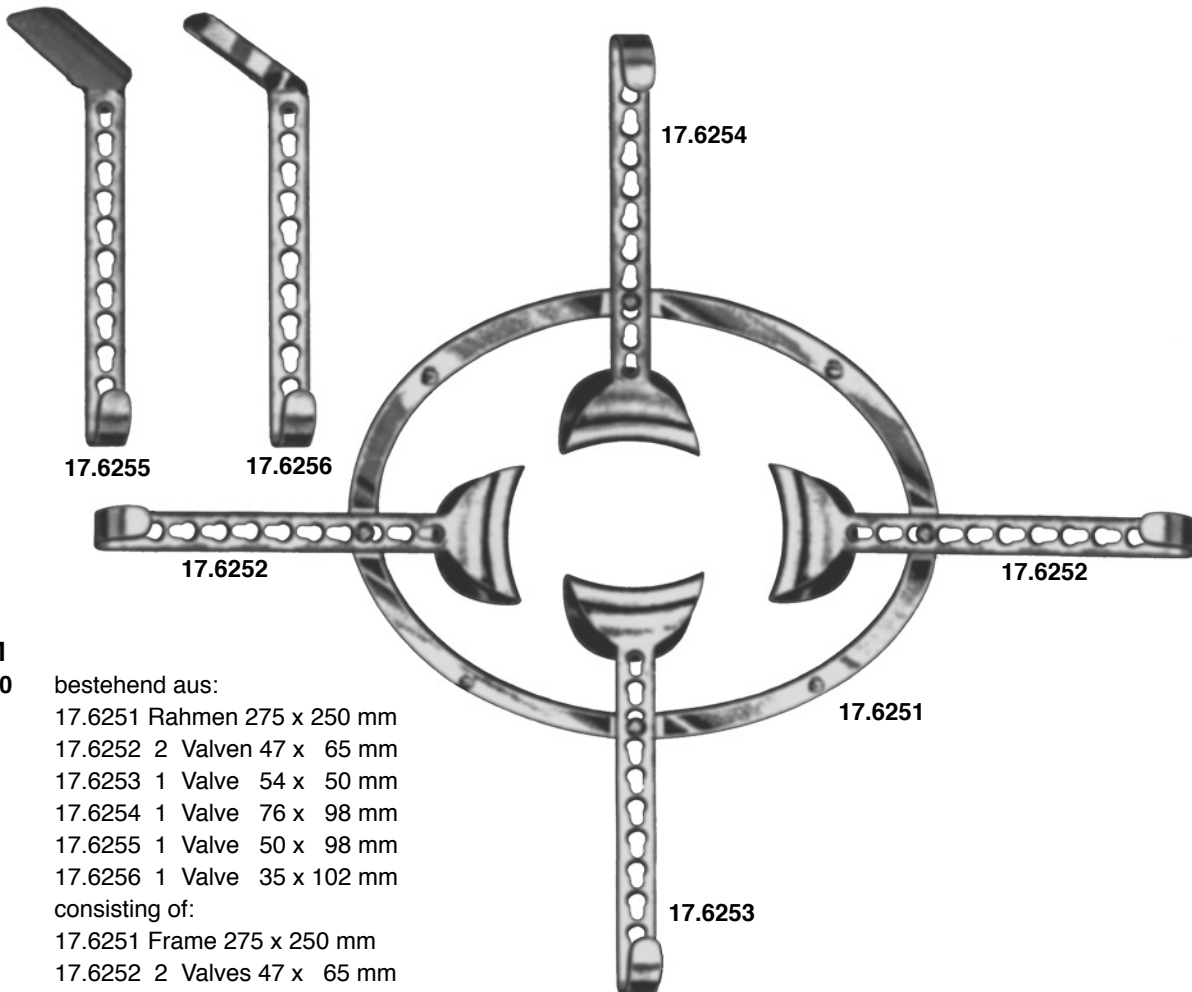


KIRSCHNER

17.6222 Rahmen allein / Frame only / Cadre, seul / Cuadro, solo / Telaio, solo

KIRSCHNER

17.6220 bestehend aus:
 17.6222 starrer Rahmen 250x250 mm
 17.6224 2 Valven 42 x 55 mm
 17.6225 2 Valven 50 x 65 mm
 consisting of:
 17.6222 rigid frame 250x250 mm
 17.6224 2 valves 42 x 55 mm
 17.6225 2 valves 50 x 65 mm
 comprenant:
 17.6222 cadre fixe 250 x 250 mm
 17.6224 2 valves 42 x 55 mm
 17.6225 2 valves 50 x 65 mm
 compuesto de:
 17.6222 cuadro fijo 250 x 250 mm
 17.6224 2 valvas 42 x 55 mm
 17.6225 2 valvas 50 x 65 mm
 composto da:
 17.6222 telaio fisso 250 x 250 mm
 17.6224 2 valve 42 x 55 mm
 17.6225 2 valce 50 x 65 mm



**SEMM
 17.6250**

bestehend aus:

- 17.6251 Rahmen 275 x 250 mm
- 17.6252 2 Valven 47 x 65 mm
- 17.6253 1 Valve 54 x 50 mm
- 17.6254 1 Valve 76 x 98 mm
- 17.6255 1 Valve 50 x 98 mm
- 17.6256 1 Valve 35 x 102 mm

consisting of:

- 17.6251 Frame 275 x 250 mm
- 17.6252 2 Valves 47 x 65 mm
- 17.6253 1 Valve 54 x 50 mm
- 17.6254 1 Valve 76 x 98 mm
- 17.6255 1 Valve 50 x 98 mm
- 17.6256 1 Valve 35 x 102 mm

comprenant:

- 17.6251 Cadre 275 x 250 mm
- 17.6252 2 Valves 47 x 65 mm
- 17.6253 1 Valve 54 x 50 mm
- 17.6254 1 Valve 76 x 98 mm
- 17.6255 1 Valve 50 x 98 mm
- 17.6256 1 Valve 35 x 102 mm

compuesto de:

- 17.6251 Cuadro 275 x 250 mm
- 17.6252 2 Valvas 47 x 65 mm
- 17.6253 1 Valva 54 x 50 mm
- 17.6254 1 Valva 76 x 98 mm
- 17.6255 1 Valva 50 x 98 mm
- 17.6256 1 Valva 35 x 102 mm

composto da:

- 17.6251 Telaio 275 x 250 mm
- 17.6252 2 Valve 47 x 65 mm
- 17.6253 1 Valva 54 x 50 mm
- 17.6254 1 Valva 76 x 98 mm
- 17.6255 1 Valva 50 x 98 mm
- 17.6256 1 Valva 35 x 102 mm

SEMM

17.6251 275 x 250 mm

Rahmen allein / Frame only / Cadre, seul /
 Cuadro, solo / Telaio, solo

17.6252 47 x 65 mm

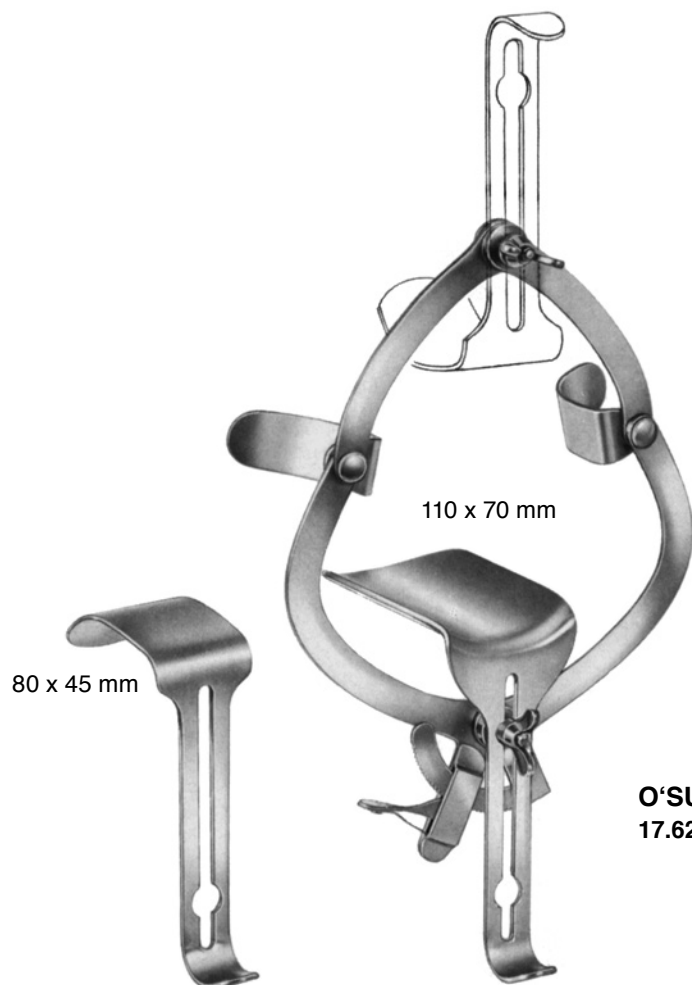
17.6253 54 x 50 mm

17.6254 76 x 98 mm

17.6255 50 x 98 mm

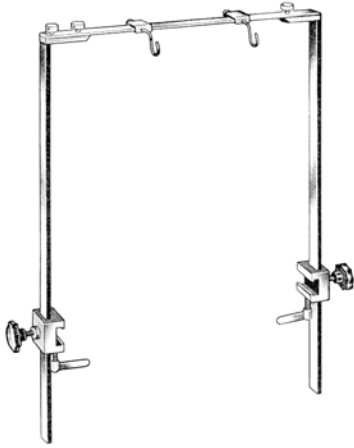
17.6256 35 x 135 mm

Valve / Blades / Lames / Valvas / Valve



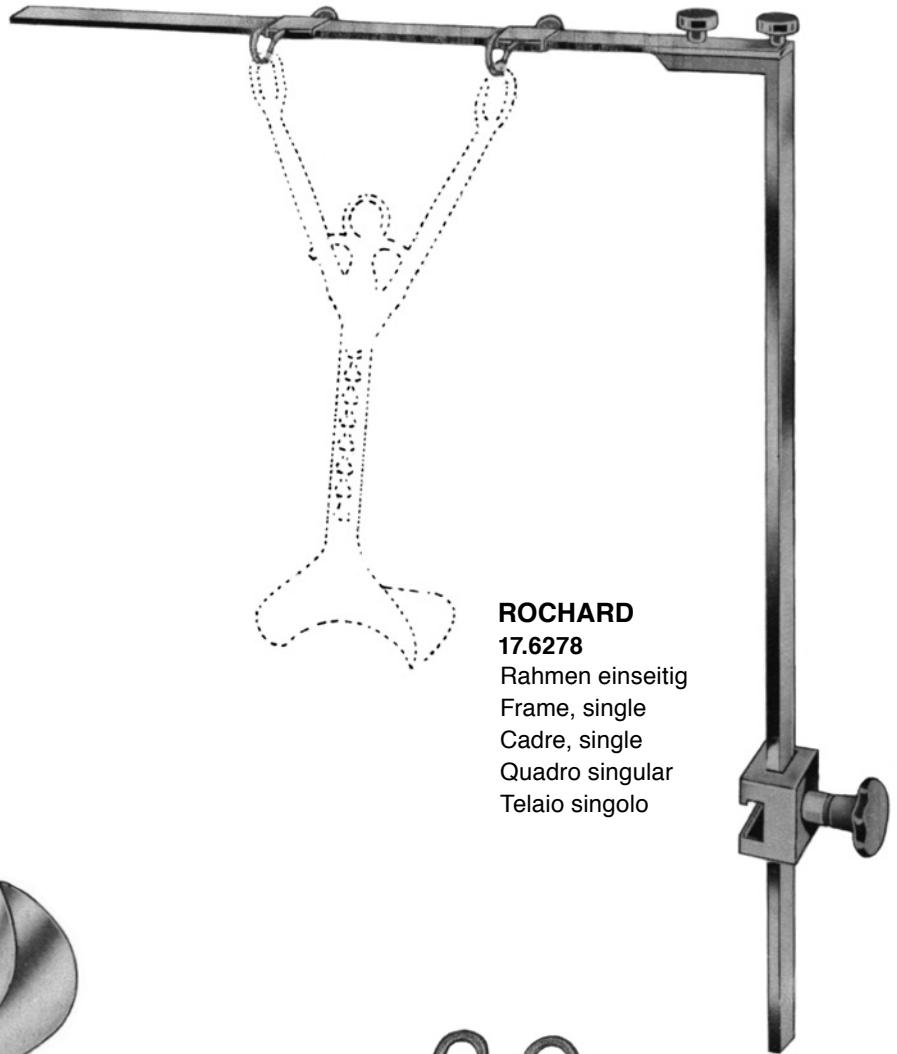
O'SULLIVAN-O'CONNOR

- 17.6260** bestehend aus:
17.6261 Rahmen mit 2 Seitenvalven 62 x 25 mm
17.6262 2 Valven 85 x 45 mm
17.6263 1 Valve 105 x 70 mm
consisting of:
17.6261 Frame with 2 lateral valves 62 x 25 mm
17.6262 2 Valves 85 x 45 mm
17.6263 1 Valve 105 x 70 mm
comprenant:
17.6261 Cadre avec 2 valves latérales 62 x 25 mm
17.6262 2 Valves 85 x 45 mm
17.6263 1 Valve 105 x 70 mm
compuesto de:
17.6261 Cuadro con 2 valvas laterales 62 x 25 mm
17.6262 2 Valves 85 x 45 mm
17.6263 1 Valva 105 x 70 mm
composta da:
17.6261 Telaio con 2 valve laterali 62 x 25 mm
17.6262 2 Valve 85 x 45 mm
17.6263 1 Valva 105 x 70 mm
- 17.6261** Rahmen allein / Frame only / Cadre, seul / Cuadro, solo / Telaio, solo
- 17.6262** 45 x 85 mm
- 17.6263** 70 x 105 mm
Valve / Blades / Lames / Valvas / Valve



ROCHARD
17.6277

Rahmen, doppelt
Frame, double
Cadre, double
Quadro doble
Telaio doppio



ROCHARD
17.6278

Rahmen einseitig
Frame, single
Cadre, single
Quadro singular
Telaio singolo



ROCHARD

17.6270 95 mm
17.6271 105 mm
17.6272 120 mm
17.6273 135 mm
17.6274 155 mm



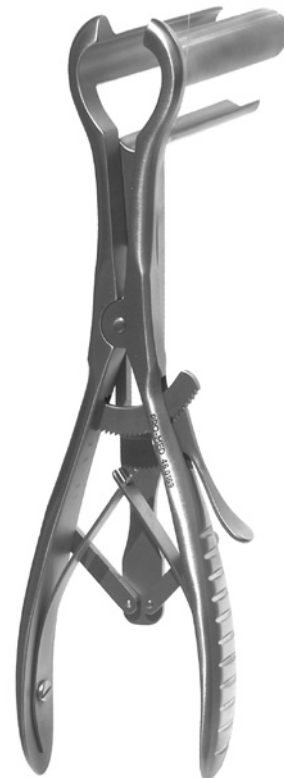
ROCHARD
17.6279

Fixiervorrichtung
Fixation device
Compas articulé
Dispositivo de fijación
Dispositivo di fissaggio



DOYEN

17.6350 55 x 95 mm
17.6353 55 x 105 mm
17.6354 55 x 115 mm
17.6355 55 x 125 mm



ABDOMINAL

46.0169 20,5 cm
Spekulum 70 mm / 90°
Abdominal Specula 70 mm / 90°
Spéculum abdominal 70 mm / 90°
espéculo abdominal 70 mm / 90°
Specola abdominale 70 mm / 90°



17.6309 8 mm ø

20 Ersatzknöpfe
20 Spare buttons
20 Boutons de rechange
20 Botones de repuesto
20 Bottone de ricambio

FOERSTER

17.6300 Ø 255 mm

Kunststoff, schwarz, röntgenfähig, komplett mit 4 Valven Nr. 17.6303
plastic, black, transparent to X-Ray, complete with 4 valves 17.6303
plastique, noir, transparent aux rayons X, complet avec 4 valves 17.6303
plástico, negro, transparente a los rayos-X, completo con 4 valvas 17.6303
plastica, nero, radiotrasparente, completo con 4 valve 17.6303

17.6301

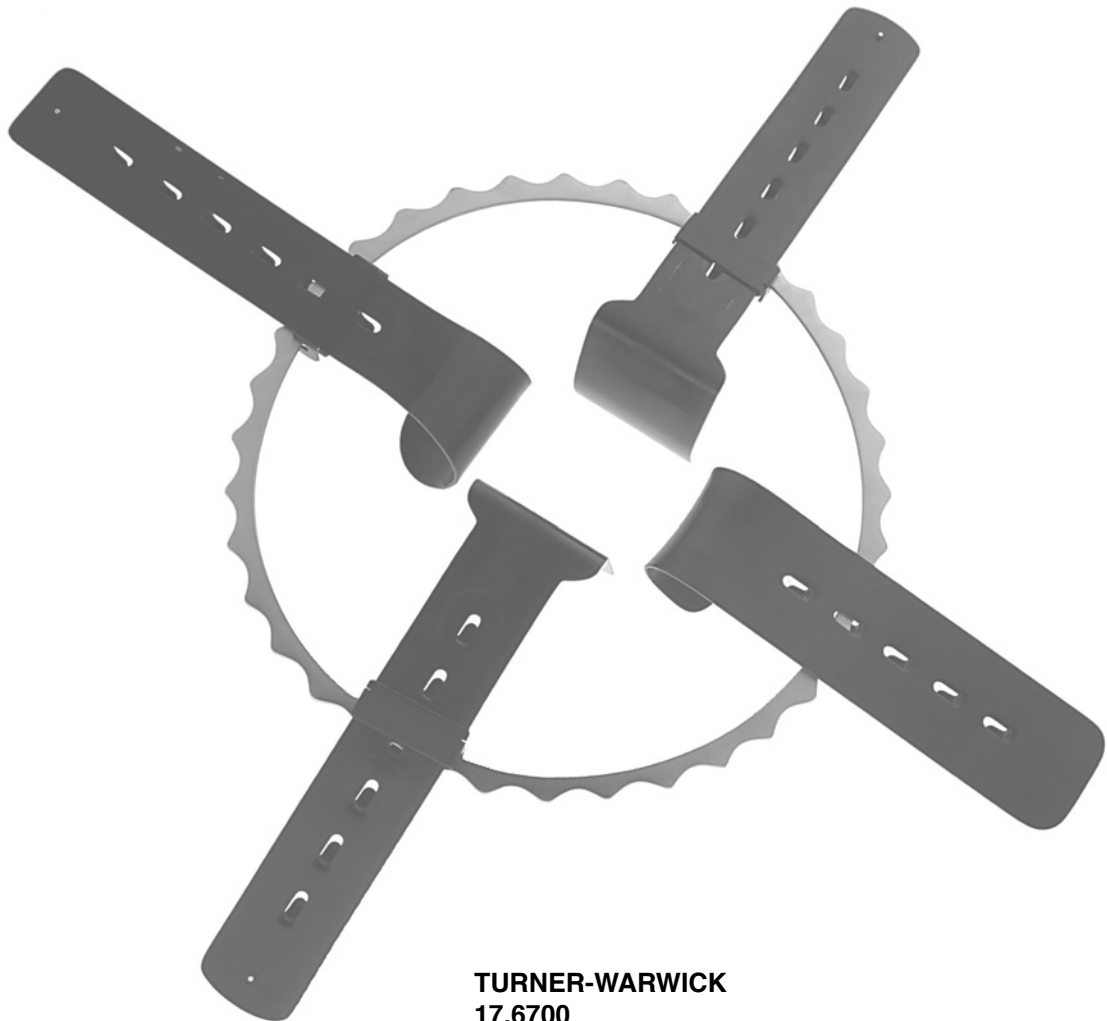
Rahmen / frame / Cadre / Cuadro / Telaio Ø 255 mm



17.6303 50 x 65 mm



17.6304 65 x 75 mm



TURNER-WARWICK

17.6700

bestehend aus

consisting of:

comprendant:

compuesto de:

composta da:

17.6701 1

17.6702 1

17.6703 1

17.6710 2

17.6711 2

17.6712 2

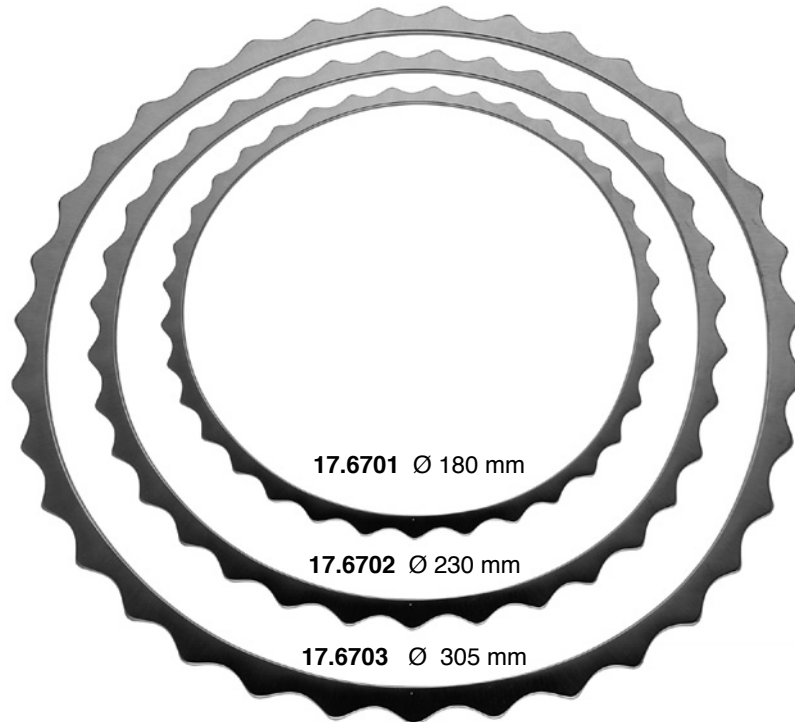
17.6713 2

17.6714 2

17.6715 2

17.6716 2

17.6717 2

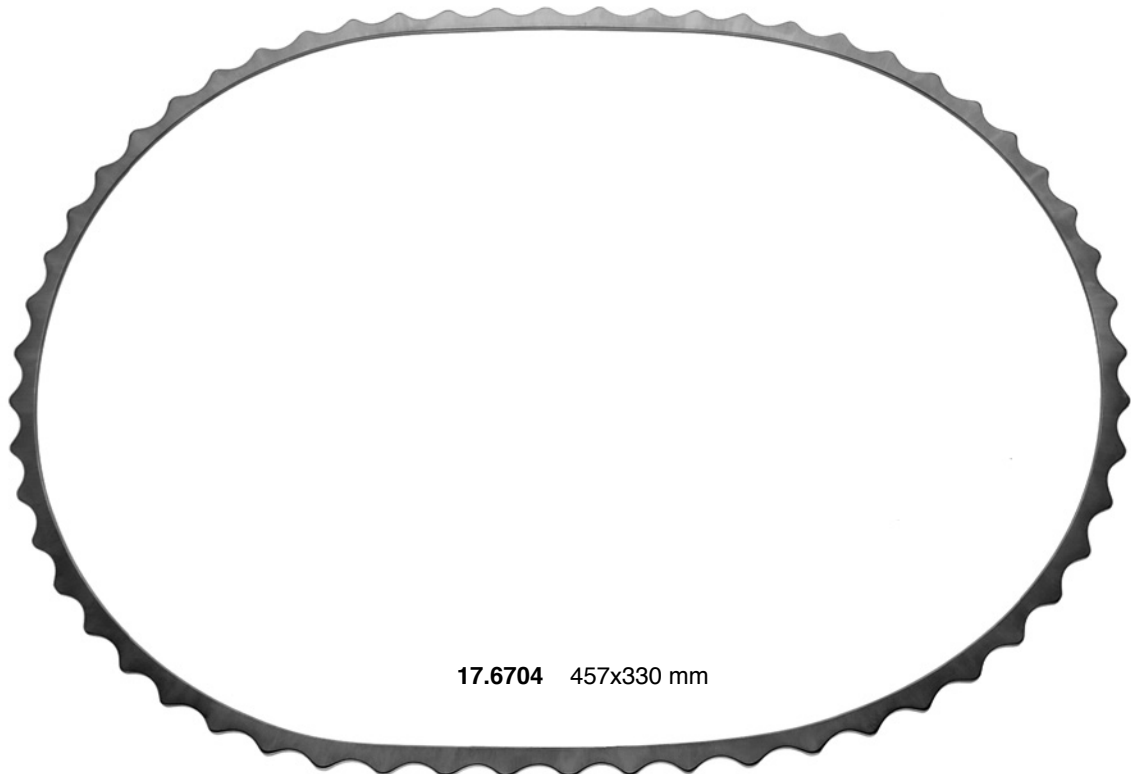


17.6701 Ø 180 mm

17.6702 Ø 230 mm

17.6703 Ø 305 mm

TURNER-WARWICK



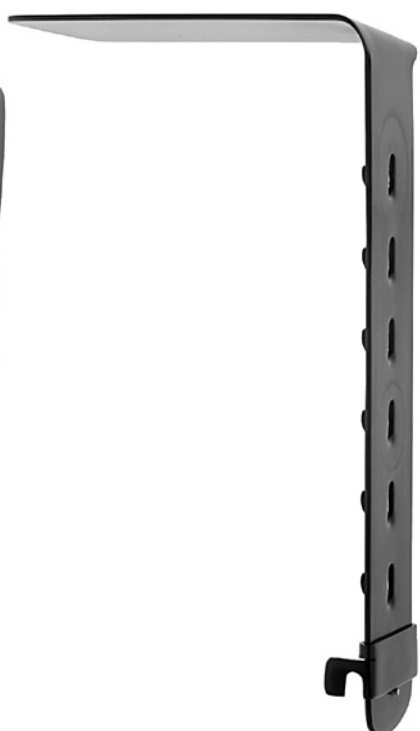
17.6704 457x330 mm

TURNER-WARWICK

**BAUCHDECKENHALTER
ABDOMINAL RETRACTORS
ECARTEURS ABDOMINAUX
SEPARADORES ABDOMINALES
DIVARICATORI ADDOMINALI**



TURNER-WARWICK
17.6710 76 x 19 mm



TURNER-WARWICK
17.6711 102 x 38 mm



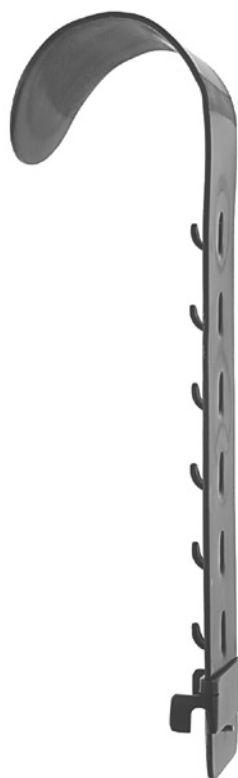
TURNER-WARWICK
17.6712 89 x 57 mm



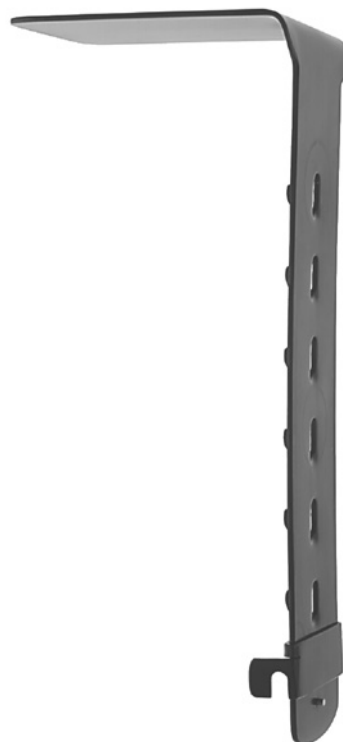
TURNER-WARWICK
17.6713 114 x 57 mm



TURNER-WARWICK
17.6714 51 x 38 mm



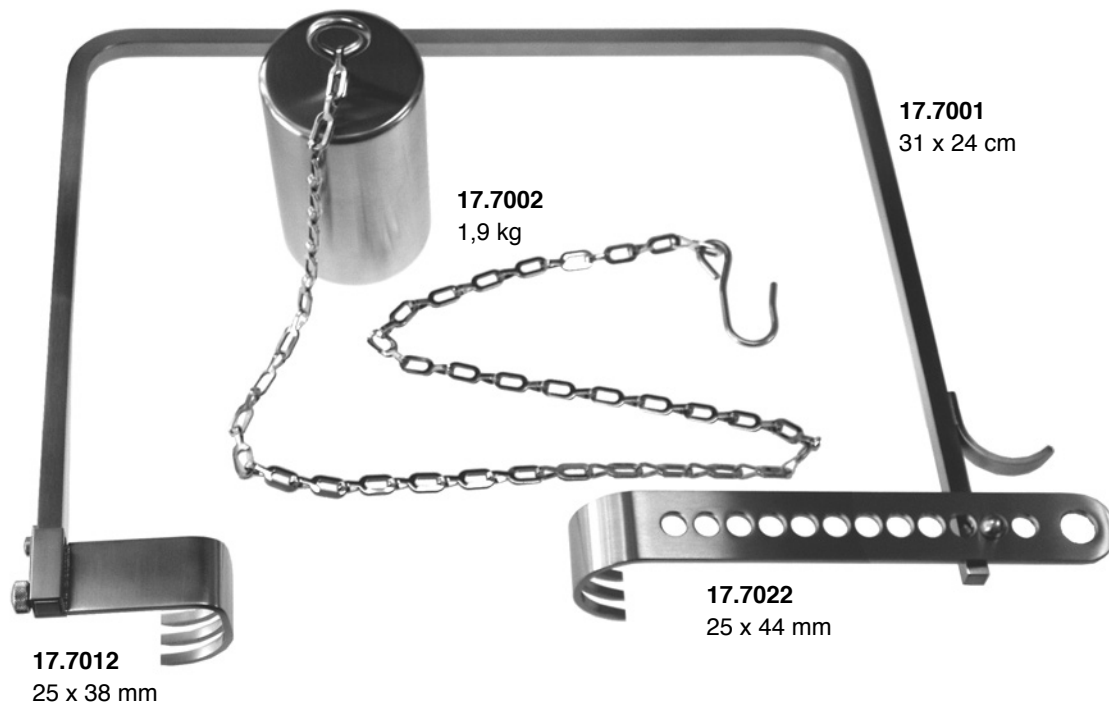
TURNER-WARWICK
17.6715 76 x 60 mm



TURNER-WARWICK
17.6716 89 x 60 mm
17.6717 114 x 60 mm



TURNER-WARWICK
17.6718 13 mm



CHARNLEY compl.
17.7000

bestehend aus:

consisting of:

comprendant:

compuesto de:

composta da:

17.7001 Rahmen / Frame / Cadre / Cuadro / Telaio 31 x 24 cm

17.7002 Gewicht mit Kette / Weight with chain / poids avec chaîne /
peso con cadena / peso con catena

17.7012 Valve / Valve / Valva / Valve 25 x 38 mm

17.7022 Valve / Valve / Valva / Valve 25 x 44 mm

